

**Keyword:**  
**Enhanced Start**

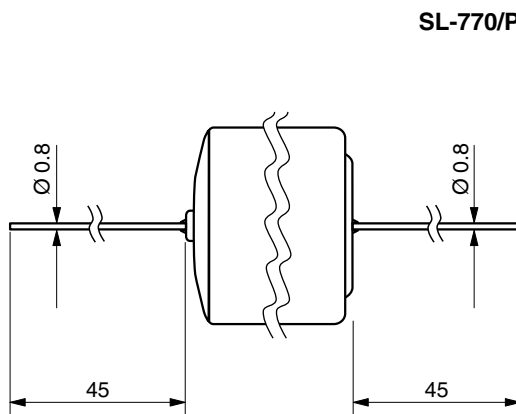
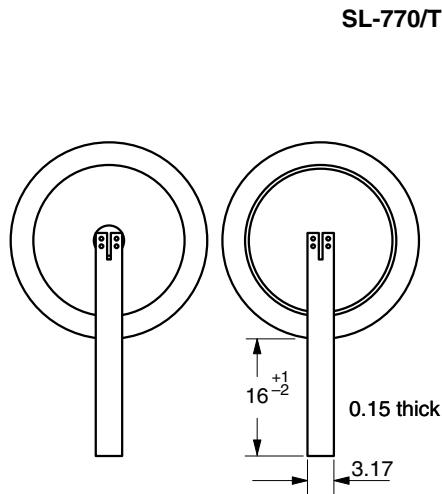
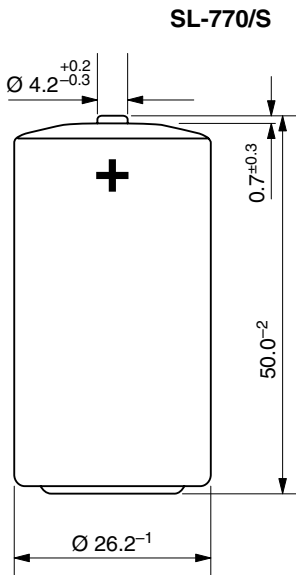
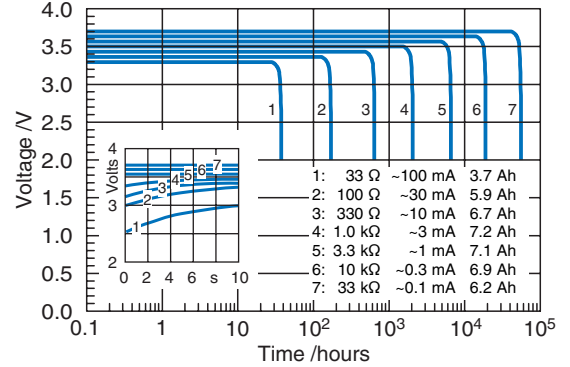
**Type:** **SL-770**

**Performance Data** **Size C**  
 (Typical values for batteries stored at 25 °C for one year)

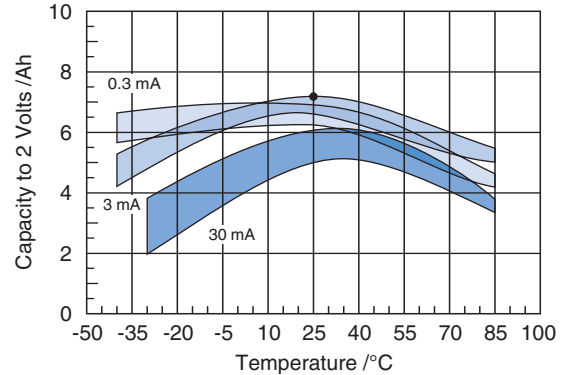
System	Li/SOCl <sub>2</sub>
Nominal voltage	3.6 V
Nominal capacity	7.2 Ah
Nominal current	3 mA
Max. continuous discharge current	100 mA
Pulse current capability	300 mA
Anode surface area	30 cm <sup>2</sup>
Weight	50 g
Volume	26 cm <sup>3</sup>
Temperature range	-55...+85 °C

**WARNING:**  
 Fire, explosion, and severe burn hazard. Do not recharge, disassemble, heat above 100 °C, incinerate, or expose contents to water.

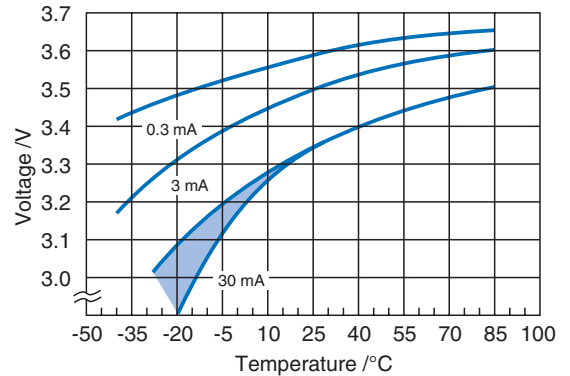
**Typical Discharge Curves at +25 °C**



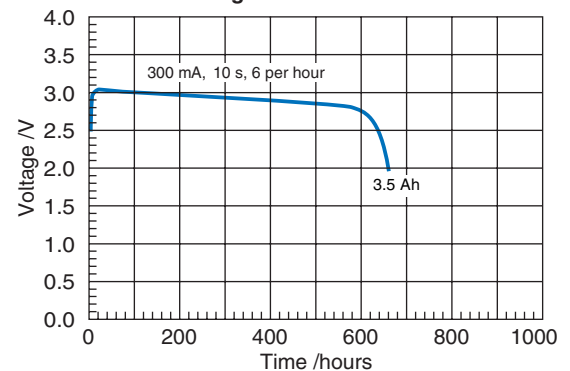
**Available Capacity**



**Operating Voltage**



**Pulse Discharge Characteristics at +25 °C**



**Available Terminations**

SL-770/S	Standard
SL-770/T	Tags
SL-770/P	Pins

**Catalogue No.**

11 1 17701 00
11 1 17702 00
11 1 17703 00

Any values given here are for information purposes only. They also depend on actual conditions of use and are not warranties of future performance. Subject to change.